

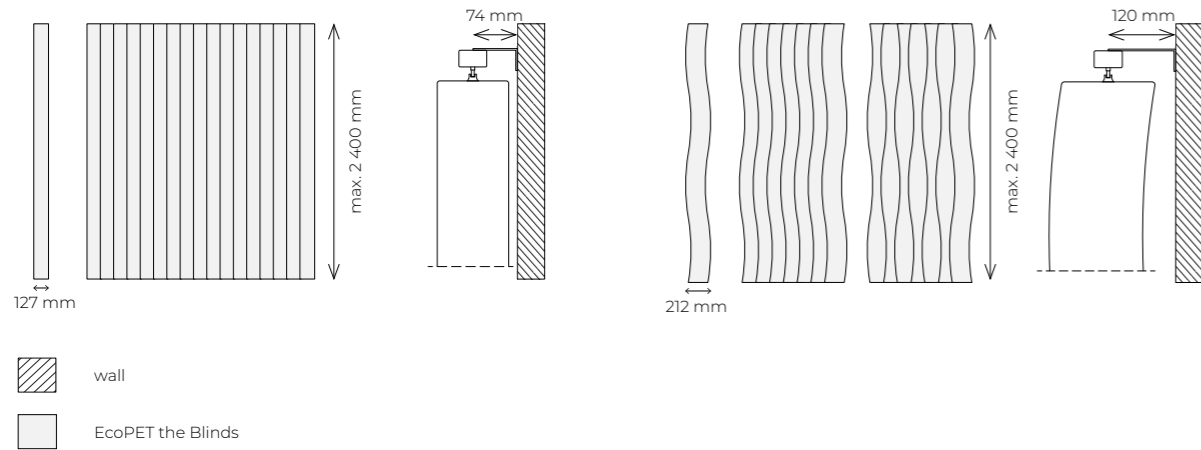


ECO PET the Blinds



EcoPET the Blinds are sound-absorbing vertical acoustic window blinds whose slats are made of PET - a dust-free and 100% environmentally friendly material. Replacing standard window covers, the Blinds are great at dealing with excessive sunlight and reverberation noise at the same time, ensuring perfect comfort and silence in any room.

exemplary shapes



Size
slat width: min. 89 mm
slat height: max. 2400 mm

Thickness
9 - 11 mm

Area weight
2 000 - 2 400 g/sqm

Material
EcoPET, EcoFELT - pressed polyester PET fibers. Colour guide available on request.

Fire safety
Made out of materials with flammability class at least C-s2, d0.

Designer
IAMC Team

Country of production
Poland

Category
absorption

Description
EcoPET the Blinds are sound-absorbing vertical window blinds, the slats of which are made of pressed PET polyester fibers - a non-toxic, odorless and non-dusting material. They can be used indoors using standard wall or ceiling rails. It is possible to cut out various shapes, combine one-colour and two-colour slats (made of EcoPET with an EcoFELT layer). The Blinds are universal and fit perfectly into any interior.

Sound absorption coefficient
 $\alpha_{w, \max} = 0,70$ (H)

Application
Office rooms, conference rooms, auditoriums, rooms in private homes and public buildings, e.g. schools, universities, libraries, offices etc. EcoPET the Blinds can act as partitions, with which you can separate a space in the room -

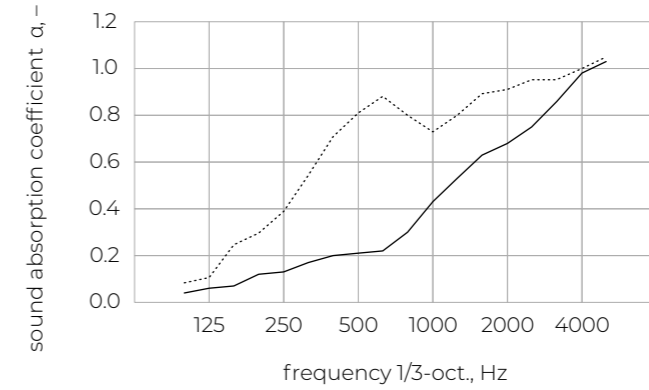
this functionality is perfect for example for beauty salons.

Custom-made
Depending on the design concept, different colours (single and double-sided), sizes and shapes are available.

Additional information
The product was designed as part of the research and development project "Development of Integrated Acoustic Modifying Components Technology" (IAMC), co-financed by the European Union under the European Regional Development Fund. Agreement number: POIR.01.01.01-00-0965 / 18-00



Architected Sound EcoPET the Blinds – sound absorption coefficients



Practical sound absorption coefficient α_p

frequency 1/1 oct.	—
125 Hz	0.15	0.05
250 Hz	0.40	0.15
500 Hz	0.80	0.20
1000 Hz	0.80	0.40
2000 Hz	0.90	0.70
4000 Hz	1.00	0.95

..... open blinds *
— closed blinds *

* measurements carried out in accordance with PN-EN ISO 354: 2005 assembly type G-200